



www.drakecorp.com

“Dolce Stil Novo”
modular *linking*
banquet
table systems
...life is sweet!

Drake is proud to introduce **“Dolce Stil Novo”** the most revolutionary vision of an easy to handle, store and deploy portable banquet table system, aimed to replace folding tables of different lengths, adding bar tables & stools to the mix as well.

The world of banquet tables will never be the same...

Dolce Stil Novo (Italian for “sweet new style”) is the name given to the most important literary movement of the 13th century in Italy. It marked a true revolution in dignifying the use of Tuscan vernacular in exquisite literary works making them accessible to the masses. Before the *Dolce Stil Novo*, all literature and higher education was in Latin. Latin, an exclusive privilege of the upper class, was no longer understood by ordinary people.

With the same revolutionary spirit, we introduce the **“Dolce Stil Novo” MODULAR LINKING table system** which will make the storage, transportation and set up of banquet tables super easy, accessible and manageable for all. With such an advanced modularity, inventory morphs and adapts becoming what is needed, whenever is needed.



Designed in Italy

by R&D Why Not Plastic, Inc.

NO MORE inventories of bulky multiple sized & heavy to move tables. With our system... **one size fits all...**



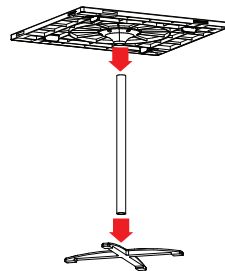


Easy to deploy

- a massive chrome steel column, 27 1/4" long, slides into the 28" steel table base.
- a strong, easy to maintain, 30"x32" composite resin table top snaps into the column.

No tools required

Our composite polymer rectangular linking table top is available in beige, dark gray & white:



“Dolce Stil Novo”

light duty easy to deploy and set up modular *LINKING*

rental & catering tables

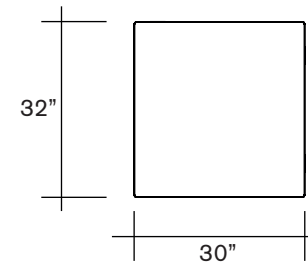
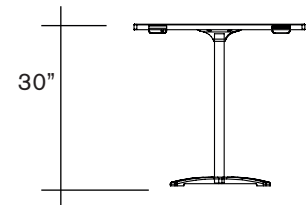
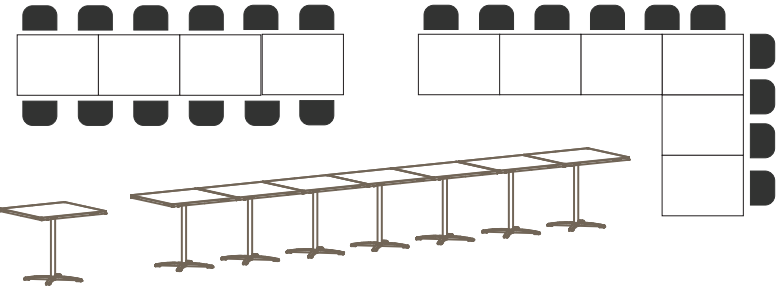


...very modular

tongue and groove style slides in and out of the table top & lets users add as many tables as needed to the banquet layout... while keeping the table tops level.

...simply add more...

Modules can be added in different directions to compose straight lines, corners, T-shapes etc.



SMART INVENTORY storage & transportation

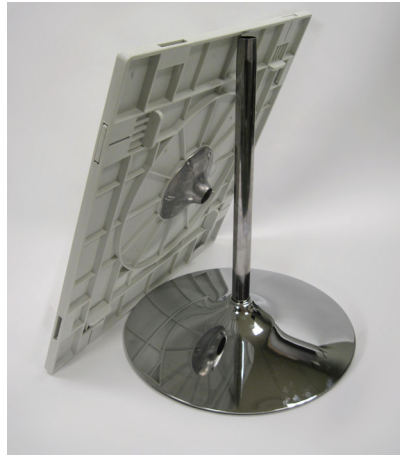
Sturdy carts in different sizes store table tops, columns and bases in a **COMPACT**, easy to move unit keeping all parts secure.



“Dolce Stil Novo”

light duty easy to deploy and set up modular *LINKING*

table & bar table
conference style



Easy to deploy

- a massive chrome steel column, 27 1/4" long (regular table) or 38 1/4" long (42"h bar table), slides into the 24" **trumpet style chrome** steel base.
- a strong, easy to maintain, **30"x32"** composite resin table top snaps into the column.

No tools required

Our composite polymer rectangular linking table top is available in beige, dark gray, white:



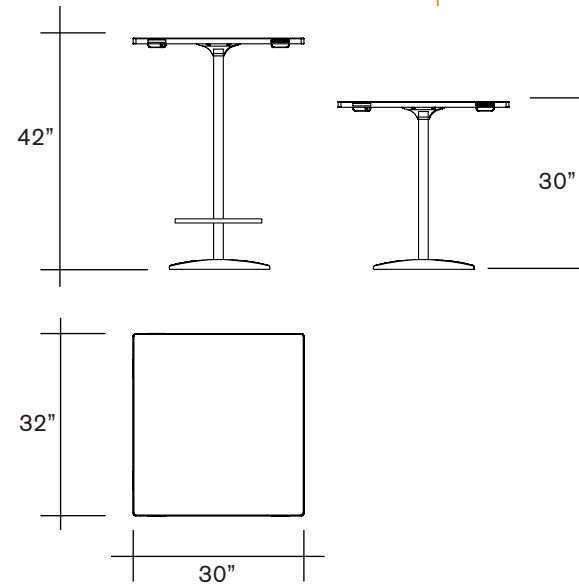
...very modular

tongue and groove style slides in and out of the table top & lets users add as many tables as needed to the table layout... while keeping the table tops level.



storage & transportation

Sturdy carts in different sizes store table tops, columns and bases in a **COMPACT**, easy to move unit keeping all parts secure.



trade shows, conventions
& conference centers



Elle

Elle is built with the same components used in our portable modular banquet table system, providing a perfect matching stool that's readily available.

The composite multi-layer techno-polymer seat is available in 4 colors:

- W [White]
- G [Light Gray]
- R [Red]
- B [Black]



Chrome metal leg,

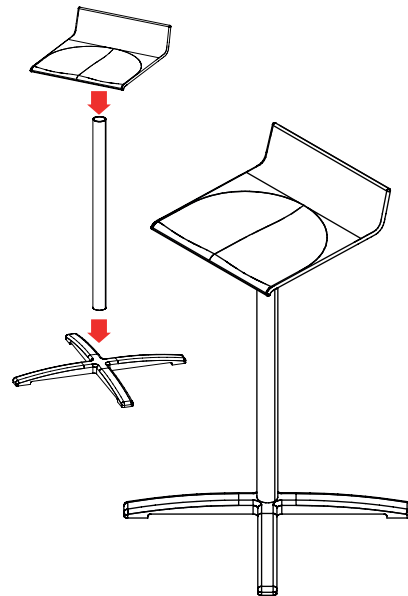
24" steel spider base or
20" chrome trumpet base (footrest is optional)



Assembly

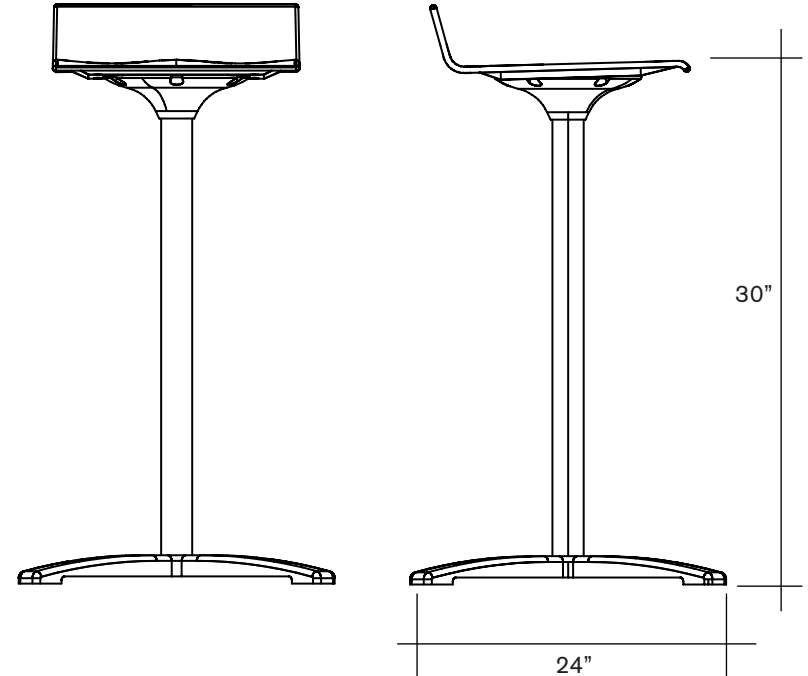
Assembly is extremely easy, the massive chrome steel column, slides into the stool base. The seat has a mounting plate that engages into the column.

No tools required.

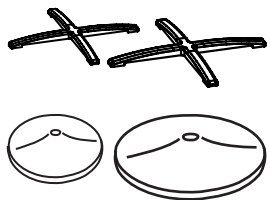


modular Elle bar stools

...life is sweet!



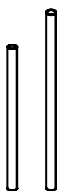
STANDARD COMPONENTS



Steel Base 28" (rectangular and 28" round tables)
Steel Base 24" (stools and 24" round tables)
Trumpet Chrome Base 24" (rectangular and 28" round tables)
Trumpet Chrome Base 20" (stools and 24" round tables)



Footrest Chrome Ring 20" (stools and bar tables)



Chrome Column L 27 1/4" (tables and stools)
Chrome Column L 38 1/4" (bar tables 42"h)



Aluminum mounting cup (all tables and stools)



Composite polymer rectangular linking table top 30"x32"



Composite polymer Elle stool seat

COMING SOON:

Composite polymer 24" round table top
Composite polymer 28" round table top

modular tables & bar stools

...component list



DRAKE CORP.
154 Tices Lane
East Brunswick, NJ 08816, USA
tel +1 732 254 1530
fax +1 732 254 3509
email contactUS@drakecorp.com



En Europa:
CENTRO ERRE SRL
Via Trivulzio, 3
20146 Milano (MI) • Italy
Tel. +39 02 437 946
Fax +39 02 4570 3076
e-mail: info@centroerre.com